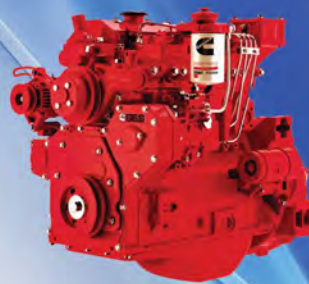


 A.D.A.M POWER

ADAM DIESEL GENERATING SETS



ADAM CUMMINS ENGINE
DIESEL SERIES
10 - 3500 kVA
GREENER & CLEANER FUTURE



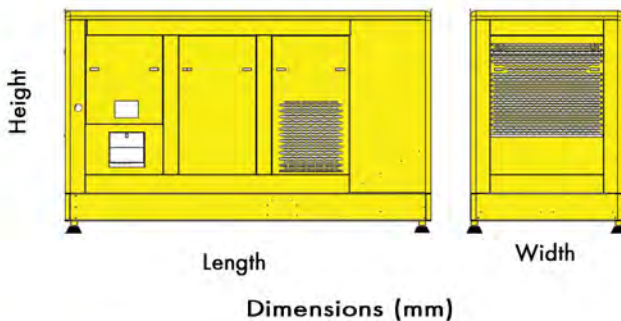
AGC ADAM POWER CUMMINS DIESEL SERIES

50 Hz. 230 / 400 V GENSET SPECIFICATION

MODEL	GENSET									DIMENSIONS			
	POWER (kVA)		POWER (kW)		ENGINE	ALTERNATOR	FUEL CONSUMPTION (lt/h)			OPEN TYPE		WITH CANOPY	
	Prime	Standby	Prime	Standby	Model	Model	50%	75%	100%	W x L x H (mm)	WEIGHT (Kg)	W x L x H (mm)	WEIGHT (Kg)
AGC10	9	10	7	8	X1.3G1	BCI 164B	1,8	2,4	3	1450 x 900 x1370	400	1450 x 900 x 1500	580
AGC27	25	28	20	22	X2.5G2	BCI 184F	3,5	4,8	6	1800 x 900 x1420	620	1800 x 900 x 1500	870
AGC38	34	38	27	30	X3.3G1	BCI 184H	4,3	6,1	8,5	1800 x 900 x1420	750	1800 x 900 x 1500	1000
AGC44	40	44	32	35	S3.8G4	UCI 224C	5,4	7,6	9,9	1800 x 900 x1420	780	1800 x 900 x 1500	1030
AGC55	50	55	40	44	S3.8G6	UCI 224D	6,5	9,5	12,8	1800 x 900 x1420	870	1800 x 900 x 1500	1120
AGC55	50	55	40	44	4BT3.3-G2	UCI 224D	5,9	8,4	11	1800 x 900 x1420	840	1800 x 900 x 1500	1090
AGC110	99	110	79	88	6BTA5.9-G5	UCI 274D	12	18	25	2100 x 1100 x 1650	1600	2100 x 1100 x 1685	1950
AGC119	107	119	86	95	6BT5.9-G6	UCI 274D	13	18	24	2100 x 1100 x 1650	1690	2100 x 1100 x 1685	2040
AGC125	125	128	100	102	6BTA5.9-G3	UCI 274E	14	21	29	2100 x 1100 x 1650	1760	2100 x 1100 x 1685	2110
AGC176	160	176	128	141	6BTA5.9-G5	UCI 274F	19	29	37	2800 x 1200 x 1650	1760	2800 x 1200 x 1685	2160
AGC175	158	175	126	140	QSB7G3	UCI 274F	21	30	38	2800 x 1200 x 1650	1720	2800 x 1200 x 1685	2120
AGC200	180	200	144	160	QSB7G4	UCI 274G	24	34	42	2800 x 1200 x 1720	1780	2800 x 1200 x 1800	2210
AGC220	198	220	158	176	QSB7G5	UCI 274H	26	36	45	2800 x 1200 x 1720	1840	2800 x 1200 x 1800	2270
AGC200	180	200	144	160	6CTA8.3G2	UCI 274G	20	30	40	2800 x 1200 x 1720	1960	2800 x 1200 x 1800	2390
AGC220	200	220	160	176	6CTAA8.3G3	UCI 274H	23	34	46	2800 x 1200 x 1720	1990	2800 x 1200 x 1800	2420
AGC330	300	330	240	264	QSL9G5	HCI 444D	31	46	65	3100 x 1500 x 1900	2400	3100 x 1500 x 2000	3050
AGC350	315	350	252	280	NT855G6	HCI 444D	36	52	69	3100 x 1500 x 1900	2450	3100 x 1500 x 2000	3100
AGC400	360	400	288	320	NTA855G4	HCI 444E	39	57	76	3100 x 1500 x 1900	2550	3100 x 1500 x 2000	3200
AGC450	405	450	324	360	QSX15G4	HCI 444F	45,7	67	85,7	3500 x 1500 x2150	3400	3500 x 1500 x 2250	4200
AGC500	450	500	360	400	QSX15G6	HCI 544C	51,3	74,3	95,9	3500 x 1500 x2150	3600	3500 x 1500 x 2250	4400
AGC550	500	550	400	440	QSX15G8	HCI 544D	54,7	78,7	103	3500 x 1500 x2150	3800	3500 x 1500 x 2250	4600
AGC550	495	550	396	440	KTA19G4	HCI 544D	57	82	107	3500 x 1500 x2150	4000	3500 x 1500 x 2250	4800
AGC660	600	660	480	528	QSK19G2	HCI 544E	71	102	133	3500 x 1500 x2150	4250	3500 x 1500 x 2250	5050
AGC700	630	700	504	560	VTA28G5	HCI 544F	73	105	140	3500 x 2000 x 2200	5650	3500 x 2000 x 2280	6550
AGC715	644	715	515	572	QSK19G4	HCI 544F	78	111	147	3500 x 2000 x 2200	4500	3500 x 2000 x 2280	5400
AGC900	810	900	648	720	QSK23G3-Dual	HCI 634G	85	121	161	3900 x 2100 x 2200	7050	3900 x 2100 x 2280	8200
AGC1000	910	1000	728	800	QST30G3	HCI 634H	94	139	184	4650 x 2100 x 2550	8500	6070 x 2440 x 2600	10740
AGC1100	1000	1100	800	880	QST30G4	HCI 634J	100	152	204	4650 x 2100 x 2550	8800	6070 x 2440 x 2600	11040
AGC1400	1275	1400	1020	1120	QSK38G5	PI 734A	154	206	274	4650 x 2100 x 2550	9200	6070 x 2440 x 2600	11440
AGC1400	1275	1400	1020	1120	KTA50G3	PI 734A	139	199	261	4800 x 2100 x 2750	9800	6070 x 2440 x 2600	12040
AGC1675	1400	1675	1120	1340	KTA50G8	PI 734B	155	222	289	4800 x 2100 x 2750	9980	9090 x 2440 x 2900	12980
AGC1700	1540	1700	1232	1360	QSK50G4	PI 734C	183	258	338	5500 x 2400 x 2750	10300	9090 x 2440 x 2900	13300
AGC2063	1875	2063	1500	1650	QSK60G3	PI 734E	196	276	371	6000 x 2400 x 2750	12500	11200 x 3200 x 3200	17000
AGC2250	2045	2250	1636	1800	QSK60G4	PI 734F	200	291	394	6000 x 2400 x 2750	13000	11200 x 3200 x 3200	17500
AGC2500	2250	2500	1600	2000	QSK60G13	PI 734G	210	302	399	6000 x 2400 x 2750	13500	11200 x 3200 x 3200	18000
AGC3000	2750	3000	2200	2400	QSK78G9	LV804T	-	-	-	7000 x 2600 x 2750	19000	11200 x 4000 x 3800	23500
AGC3500	3094	3438	2475	2750	QSK78G12	LV804W	-	-	-	7000 x 2600 x 2750	21000	11200 x 4000 x 3800	25500

Stand by : Emergency Standby Power available for supplying emergency power in variable load applications in accordance with Prime : Prime Power in direct current for an unlimited number of annual operating hours in variable load applications, in accordance with ISO 8528-1, a 10% overload capacity is available for a period of 1 hour every 12 hour period of operation, in accordance with ISO 3046-1

Sound Proof Canopy

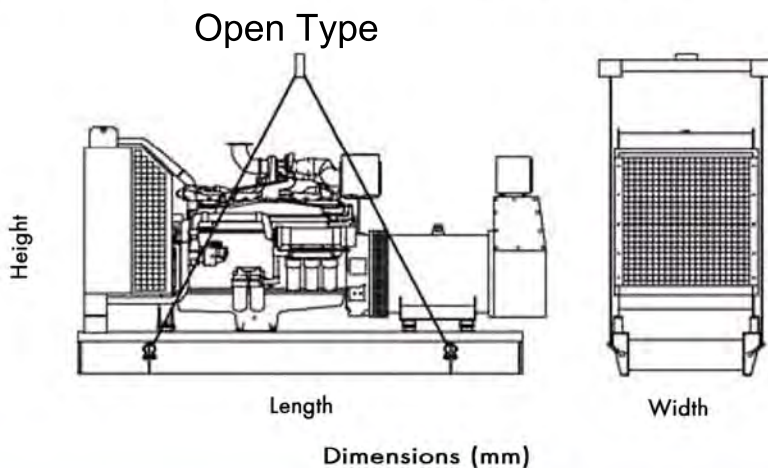


AGC ADAM POWER CUMMINS DIESEL SERIES

60 Hz. 277 / 480 V GENSET SPECIFICATION

MODEL	GENSET									DIMENSIONS			
	POWER (kVA)		POWER (kW)		ENGINE	ALTERNATOR	FUEL CONSUMPTION (lt/h)			OPEN TYPE		WITH CANOPY	
	Prime	Standby	Prime	Standby	Model	Model	50%	75%	100%	W x L x H (mm)	WEIGHT (Kg)	W x L x H (mm)	WEIGHT (Kg)
AGC25	23	25	18	20	X2.5G4	PI144E	3,7	5,3	7,2	1800 x 900 x1420	620	1800 x 900 x 1500	870
AGC38	34	38	27	30	X3.3G2	PI144J	4,8	6,9	9,1	1800 x 900 x1420	750	1800 x 900 x 1500	1000
AGC63	56	63	45	50	4BT3.3-G6	UCI224E	7	11	15	1800 x 900 x1420	840	1800 x 900 x 1500	1090
AGC63	56	63	45	50	S3.8G8	UCI224E	6	8,5	11	1800 x 900 x1420	900	1800 x 900 x 1500	1150
AGC75	68	75	54	60	S3.8G9	UCI224E	7,5	10,5	14	1800 x 900 x1420	900	1800 x 900 x 1500	1150
AGC138	125	138	100	110	6BT5.9-G6	UCI274D	16	22	29	2100 x 1100 x 1650	1690	2100 x 1100 x 1685	2040
AGC188	170	188	136	150	QSB7-G3	UCI274F	23	33	42	2100 x 1100 x 1650	1890	2100 x 1100 x 1685	2240
AGC220	200	220	160	176	QSB7-G4	UCI274H	26	37	46	2100 x 1100 x 1650	1990	2100 x 1100 x 1685	2340
AGC250	225	250	180	200	QSB7-G5	UCI274H	30	40	50	2100 x 1100 x 1650	2000	2100 x 1100 x 1685	2350
AGC288	263	288	210	230	QSL9-G2	UCDI274J	38	54	67	3100 x 1500 x 1900	2450	3100 x 1500 x 2000	3050
AGC313	284	313	227	250	QSL9-G3	HCI444C	41	58	70	3100 x 1500 x 1900	2400	3100 x 1500 x 2000	3050
AGC344	313	344	250	275	QSL9-G4	HCI444D	42	62	73	3100 x 1500 x 1900	2400	3100 x 1500 x 2000	3050
AGC375	344	375	275	300	QSL9-G5	HCI444D	36	55	75	3100 x 1500 x 1900	2400	3100 x 1500 x 2000	3050
AGC356	325	356	260	285	NT855G6	HCI444D	40	56	74	3100 x 1500 x 1900	2450	3100 x 1500 x 2000	3100
AGC500	450	500	360	400	QSX15G6	HCI544C	53,4	75,2	97,6	3500 x 1500 x2150	3600	3500 x 1500 x 2250	4400
AGC563	513	563	410	450	QSX15G7	HCI544D	60,8	84,5	108	3500 x 1500 x2150	3700	3500 x 1500 x 2250	4500
AGC500	450	500	360	400	QSX15G8	HCI544C	53,4	75,2	97,6	3500 x 1500 x2150	3800	3500 x 1500 x 2250	4600
AGC625	569	625	455	500	QSX15G9	HCI544D	65,3	90,5	117,8	3500 x 1500 x2150	3900	3500 x 1500 x 2250	4700
AGC625	569	625	455	500	KTA19G4	HCI544D	65	94	122	3500 x 1500 x2150	4000	3500 x 1500 x 2250	4800
AGC688	625	688	500	550	QSK19-G2	HCI544E	76	104	140	3900 x 2100 x 2200	4500	3900 x 2100 x 2280	5650
AGC750	681	750	545	600	QSK19-G3	HCI544F	80	113	155	3900 x 2100 x 2200	5000	3900 x 2100 x 2280	6150
AGC750	681	750	545	600	VTA28-G5	HCI544F	87	121	153,3	3900 x 2100 x 2200	6000	3900 x 2100 x 2280	7150
AGC813	739	813	591	650	QSK23-G5	HCI544F	89	123	160	3900 x 2100 x 2200	7050	3900 x 2100 x 2280	8200
AGC950	865	950	692	760	QSK23G2	HCI634H	93	133	176	3900 x 2100 x 2200	7050	3900 x 2100 x 2280	8200
AGC1000	909	1000	727	800	QSK23G3	HCI634H	97	139	189	3900 x 2100 x 2200	7250	3900 x 2100 x 2280	8400
AGC1125	1029	1125	823	900	QST30G3	HCI634J	106	154	207	4650 x 2100 x 2550	8500	6070 x 2440 x 2600	10740
AGC1250	1138	1250	910	1000	QST30G4	HCI634J	115	168	221	4650 x 2100 x 2550	8800	6070 x 2440 x 2600	11040
AGC1600	1418	1610	1134	1250	KTA50G3	PI734B	157	222	291	4800 x 2100 x 2750	9800	6070 x 2440 x 2600	12040
AGC1875	1619	1875	1295	1500	KTA50G9	PI734C	180	257	330	4800 x 2100 x 2750	9980	9090 x 2440 x 2900	12980
AGC1750	1594	1750	1275	1400	QSK50G3	PI734C	204	280	345	5500 x 2400 x 2750	10300	9090 x 2440 x 2900	13300
AGC1875	1706	1875	1365	1500	QSK50G4	PI734C	212	291	365	5500 x 2400 x 2750	10300	9090 x 2440 x 2900	13300
AGC2344	2125	2344	1700	1875	QSK60G10	PI734F	228	330	445	6000 x 2400 x 2750	12500	11200 x 3200 x 3200	17000
AGC2500	2281	2500	1825	2000	QSK60G12	PI734F	249	376	495	6000 x 2400 x 2750	13000	11200 x 3200 x 3200	17500
AGC2750	2475	2750	1980	2200	QSK60G14	PI734F	291	398	485	6000 x 2400 x 2750	13000	11200 x 3200 x 3200	17500
AGC3125	2844	3125	2275	2500	QSK78G7 EPA1	LV804T	345	475	611	7000 x 2600 x 2750	19000	11200 x 4000 x 3800	23500
AGC3438	3125	3438	2500	2750	QSK78G8 EPA1	LV804W	352	500	634	7000 x 2600 x 2750	21000	11200 x 4000 x 3800	25500
AGC3125	2844	3125	2275	2500	QSK78G11 EPA2	LV804T	-	-	-	7000 x 2600 x 2750	19000	11200 x 4000 x 3800	23500
AGC3440	3125	3438	2500	2750	QSK78G12 EPA2	LV804W	-	-	-	7000 x 2600 x 2750	21000	11200 x 4000 x 3800	25500

Stand by: Emergency Standby Power available for supplying emergency power in variable load applications in accordance with
 Prime : Prime Power in direct current for an unlimited number of annual operating hours in variable load applications, in accordance with ISO 8528-1, a 10% overload capacity is available for a period of 1 hour every 12 hour period of operation, in accordance with ISO 3046-1



AGC ADAM POWER CUMMINS DIESEL SERIES CUMMINS ENGINE SPECIFICATION



X SERIES

MODEL	POWER (kW)				DISPLACEMENT (l)	NUMBER OF CYLINDERS	BORE x STROKE (mm)
	1500 RPM		1800 RPM				
	PRIME	STANDBY	PRIME	STANDBY			
X1.3-G1	8	8.8	N/A	N/A	3.3	3	95 x 91
X2.3-G2	20	22	N/A	N/A	2.5	3	91.7 x 127
X2.3-G4	N/A	N/A	18	20	2.5	3	91.7 x 127
X3.3-G1	28	30	N/A	N/A	3.3	3	91.4 x 127
X3.3-G2	N/A	N/A	32	35	3.3	3	91.4 x 127



B SERIES

MODEL	POWER (kW)				DISPLACEMENT (l)	NUMBER OF CYLINDERS	BORE x STROKE (mm)
	1500 RPM		1800 RPM				
	PRIME	STANDBY	PRIME	STANDBY			
4BT3.3-G6	40	44	45	50	3.3	4	95 x 115
4BT3.3-G2	40	44	45	50	3.3	4	95 x 115
6BTA3.9-G3	80	88	N/A	N/A	5.9	6	102 x 120
6B17.9-G6	86	95	100	110	5.9	6	102 x 120
6BTA3.9-G3	100	110	N/A	N/A	5.9	6	102 x 120
6BTA3.9-G5	128	141	N/A	N/A	5.9	6	102 x 120



S SERIES

MODEL	POWER (kW)				DISPLACEMENT (l)	NUMBER OF CYLINDERS	BORE x STROKE (mm)
	1500 RPM		1800 RPM				
	PRIME	STANDBY	PRIME	STANDBY			
53.8-G4	32	35	N/A	N/A	3.8	4	97 x 128
53.8-G6	40	44	N/A	N/A	3.8	4	97 x 128
53.8-G8	N/A	N/A	36	40	3.8	4	97 x 128
53.8-G9	N/A	N/A	45	50	3.8	4	97 x 128



C SERIES

MODEL	POWER (kW)				DISPLACEMENT (l)	NUMBER OF CYLINDERS	BORE x STROKE (mm)
	1500 RPM		1800 RPM				
	PRIME	STANDBY	PRIME	STANDBY			
8CTA8.3-G2	146	160	160	175	8.3	6	114 x 135
8CTA8.3-G3	140	176	182	200	8.3	6	114 x 135



N SERIES

MODEL	POWER (kW)				DISPLACEMENT (l)	NUMBER OF CYLINDERS	BORE x STROKE (mm)
	1500 RPM		1800 RPM				
	PRIME	STANDBY	PRIME	STANDBY			
NT855-G6	256	280	280	285	14.0	6	140 x 152
NTA855-G4	292	320	N/A	N/A	14.0	6	140 x 152



QSKX SERIES

MODEL	POWER (kW)				DISPLACEMENT (l)	NUMBER OF CYLINDERS	BORE x STROKE (mm)
	1500 RPM		1800 RPM				
	PRIME	STANDBY	PRIME	STANDBY			
QSKX15-G4	327	360	335	400	15.0	6	137 x 169
QSKX15-G6	364	400	360	400	15.0	6	137 x 169
QSKX15-G8	400	440	360	400	15.0	6	137 x 169
QSKX15-G9	N/A	N/A	430	500	15.0	6	137 x 169



QSB SERIES

MODEL	POWER (kW)				DISPLACEMENT (l)	NUMBER OF CYLINDERS	BORE x STROKE (mm)
	1500 RPM		1800 RPM				
	PRIME	STANDBY	PRIME	STANDBY			
QSB7-G1	66	72	72	80	4.5	4	107 x 124
QSB7-G4	73	80	82	90	4.5	4	107 x 124
QSB7-G5	80	88	90	100	4.5	4	107 x 124



QSL SERIES

MODEL	POWER (kW)				DISPLACEMENT (l)	NUMBER OF CYLINDERS	BORE x STROKE (mm)
	1500 RPM		1800 RPM				
	PRIME	STANDBY	PRIME	STANDBY			
QSL9-G2	180	200	210	230	8.8	6	114 x 145
QSL9-G3	200	220	227	250	8.8	6	114 x 145
QSL9-G4	220	240	250	275	8.8	6	114 x 145
QSL9-G5	240	264	275	300	8.8	6	114 x 145



KTA SERIES

MODEL	POWER (kW)				DISPLACEMENT (l)	NUMBER OF CYLINDERS	BORE x STROKE (mm)
	1500 RPM		1800 RPM				
	PRIME	STANDBY	PRIME	STANDBY			
KTA19-G4	400	440	435	500	18.9	6	139 x 159
KTA30-G3	1020	1120	1135	1290	50.0	12	158.8 x 158.8
KTA30-G6	1120	1340	N/A	N/A	50.0	12	158.8 x 158.8
KTA30-G9	N/A	N/A	1295	1500	50.0	12	158.8 x 158.8



VTA SERIES

MODEL	POWER (kW)				DISPLACEMENT (l)	NUMBER OF CYLINDERS	BORE x STROKE (mm)
	1500 RPM		1800 RPM				
	PRIME	STANDBY	PRIME	STANDBY			
VTA28-G5	467	512	507	559	28.0	V 12	140 x 152



QST SERIES

MODEL	POWER (kW)				DISPLACEMENT (l)	NUMBER OF CYLINDERS	BORE x STROKE (mm)
	1500 RPM		1800 RPM				
	PRIME	STANDBY	PRIME	STANDBY			
QST10-G3	728	800	823	900	30.5	V 12	140 x 165.1
QST30-G4	783	808	889	927	30.5	V 12	140 x 165.1



QSK SERIES

MODEL	POWER (kW)				DISPLACEMENT (l)	NUMBER OF CYLINDERS	BORE x STROKE (mm)
	1500 RPM		1800 RPM				
	PRIME	STANDBY	PRIME	STANDBY			
QSK19-G2	480	528	500	550	19.0	6	159 x 159
QSK19-G3	520	572	550	600	19.0	6	159 x 159
QSK19-G4	520	572	550	600	19.0	6	159 x 159
QSK23-G2	600	650	600	780	23.1	6	170 x 170
QSK23-G3	648	720	727	800	23.1	6	170 x 170
QSK23-G5	525	580	591	600	23.1	6	170 x 170
QSK38-G5	1020	1120	965	1160	37.7	12	159 x 159
QSK30-G3	1120	1232	1275	1400	50.3	16	159 x 159
QSK30-G4	1232	1360	1365	1500	50.3	16	159 x 159
QSK60-G3	1500	1600	N/A	N/A	60.2	16	159 x 159
QSK60-G4	1616	1800	N/A	N/A	60.2	16	159 x 159
QSK60-G10	1360	1500	1700	1875	60.2	16	159 x 159
QSK60-G12	1460	1600	1825	2000	60.2	16	159 x 159
QSK60-G13	1600	2000	N/A	N/A	60.2	16	159 x 159
QSK60-G14	N/A	N/A	1800	2200	60.2	16	159 x 159
QSK78-G7 EPA3	N/A	N/A	2275	2500	77.6	18	170 x 190
QSK78-G8 EPA1	N/A	N/A	2500	2750	77.6	18	170 x 190
QSK78-G9	2200	2400	N/A	N/A	77.6	18	170 x 190
QSK78-G11 EPA2	N/A	N/A	2275	2500	77.6	18	170 x 190
QSK78-G12 EPA2	N/A	N/A	2500	2750	77.6	18	170 x 190

ADAM DIESEL GENERATING SETS

ADAM Diesel gensets built with engines & alternators from Premium suppliers
 Engine brands



10-2500 KVA



10-3000 KVA



33-430 KVA



10-558 KVA



95-700 KVA



50-325 KVA

Alternators



Control systems



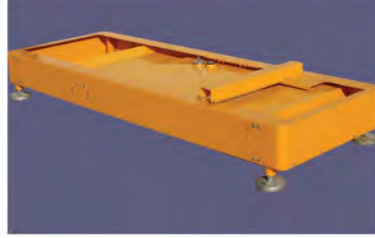
Special applications





Sound Proof Canopy

Unique stylish & fully silent design
Modular steel frame structure
All doors easily dismantled for easier service
Access doors equipped with lockable handles
Emergency button is visible & accessible
Electrostatic coating for corrosion protection
Muffler can be installed inside canopy
Noise reduced Inlet & exhaust ducting
Sound isolation materials are fireproof.
Control panel easily accessible



Robust chassis

Bolt on chassis, high structural stiffness
Fuel tank easily mounted & dismantled
Tank capacity for 8 hrs operation
Ready for sound proof canopy mounting
Four mounts for better vibration isolation
Lift holes makes easy transport of genset
Stylish & lean genset control panel

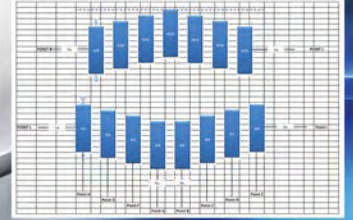
Environmentally Friendly

Complies to latest emissions regulations
Best In Class in radiated noise level
Low Noise Vibration & Harshness
High volume Silencer inside the canopy
Low noise design air entry & exhaust
Effective sound isolation materials



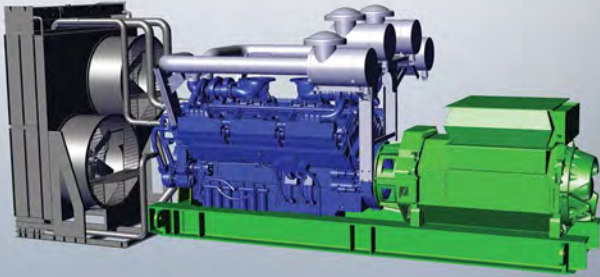
Canopies designed in 3D CAD

All canopies are designed in 3D virtual environment
Customer requirements defines the tailored design
Ergonomy & functionality is designed from the beginning
Modular & parametric design ensures scaleable family concept
Analytical design & analysis done for tTough sound insulation targets



Layout optimization for 16 gensets

Every details designed in Catia



ADAM TEMİZ ENERJİ TEKNOLOJİLERİ SAN. TİC.LTD.ŞTİ.
ŞEKERPINAR MAH. MARMARA GERİ DÖNÜŞÜMCÜLER
SİTESİ AYÇİÇEK SK.NO:8 / B ÇAYIROVA- KOCAELİ / TURKEY
e-mail: info@adampower.com.tr
web : www.adampower.com.tr